

VWK

VWK
Shell & Tubes

SVK

TRK

TRK-CHILLY

CHILLY

VWK
Desk Unit

LWK

CWK

CWK
Emulsion/Oil

TRK-CHILLY

Immersion Recooler

*Drop-in chiller
Cooling capacity from 2,5 to 5,0 kW*



TRK-CHILLY immersion re cooler

Standard equipment

- Agitator for better heat transfer
- Stainless steel flat evaporator
- Gear agitator for oil
- Complete unit in IP 44
- Operating temperature max. + 42°C
- TÜV approved high pressure switch
- Environment friendly refrigerant R407C
- CE Standard / DIN ISO 9001-2001
- Air filter
- Cover available in all RAL colours
- 400V / 3Ph / 50Hz incl. AC-control circuit
- Digital thermostat incl. hysteresis +/-1,0K

Options:

- DC control circuit
- Common alarm (potential free)
- Single alarm (potential free)
- Remote control
- Special voltage incl. 60Hz
- Mediumtemperature max. 40°C
- Wire labelling
- Harting connectors/plugs
- Different refrigerants
- Temperature hysteresis +/- 0,5K
- Smaller hysteresis on request
- Low/high temperature alarm
- Operating temperature > 42°C
- Watercooled condenser
- Temperature differential control
- Variable drop in height for low medium

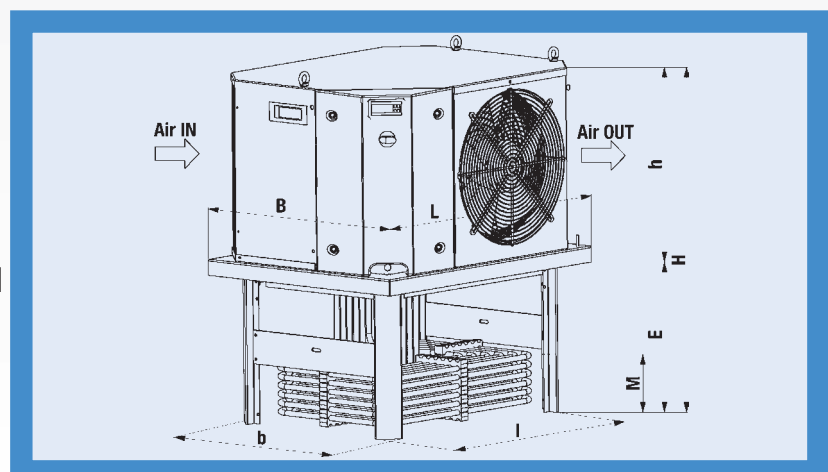
Cooling capacities

Temperature			TRK-Chilly 25	TRK-Chilly 35	TRK-Chilly 45
Ambient air	Emulsion	Oil	Cooling capacities in Watt		
32°C	10°C	15°C	2100	2740	3750
	15°C	20°C	2450	3565	4525
	20°C	25°C	2810	4395	5480
37°C	10°C	15°C	1645	2240	3450
	15°C	20°C	2060	3080	4395
	20°C	25°C	2475	3920	5340
42°C	10°C	15°C	1390	1740	3045
	15°C	20°C	1810	2580	3870
	20°C	25°C	2230	3420	4690

Specification

		TRK-Chilly 25	TRK-Chilly 35	TRK-Chilly 45
Power consumption compressor max.	kW	1,4	1,8	2,5
Power consumption max.	kW	1,6	2,0	2,7
Current max.	A	3,3	4,3	5,4
Air flow rate max.	m ³ /h	2200	2200	2200
Sound pressure (1)	dB (A)	70	70	70
Length (L)	mm	757	757	757
Width (B)	mm	600	600	600
Height (H)	mm	827	827	827
Height of machinery top (h)	mm	497	497	497
Length of immersion part (l)	mm	677	677	677
Width of immersion part (b)	mm	520	520	520
Immersion depth (E)	mm	330	330	330
Level (M) min. Emulsion / Oil	mm	70 / 110	90 / 150	90 / 150
Weight (approx.)	kg	90	98	110

(1) Freefield measurement at 1,0 m distance · Specifications subject to change



HYFRA Industriekühlanlagen GmbH

Industriepark 54 · D-56593 Kunkel

Tel. +49 (0) 26 87 / 8 98-0

Fax: +49 (0) 26 87 / 8 98-25

eMail: infohyfra@hyfra.com

www.hyfra.com